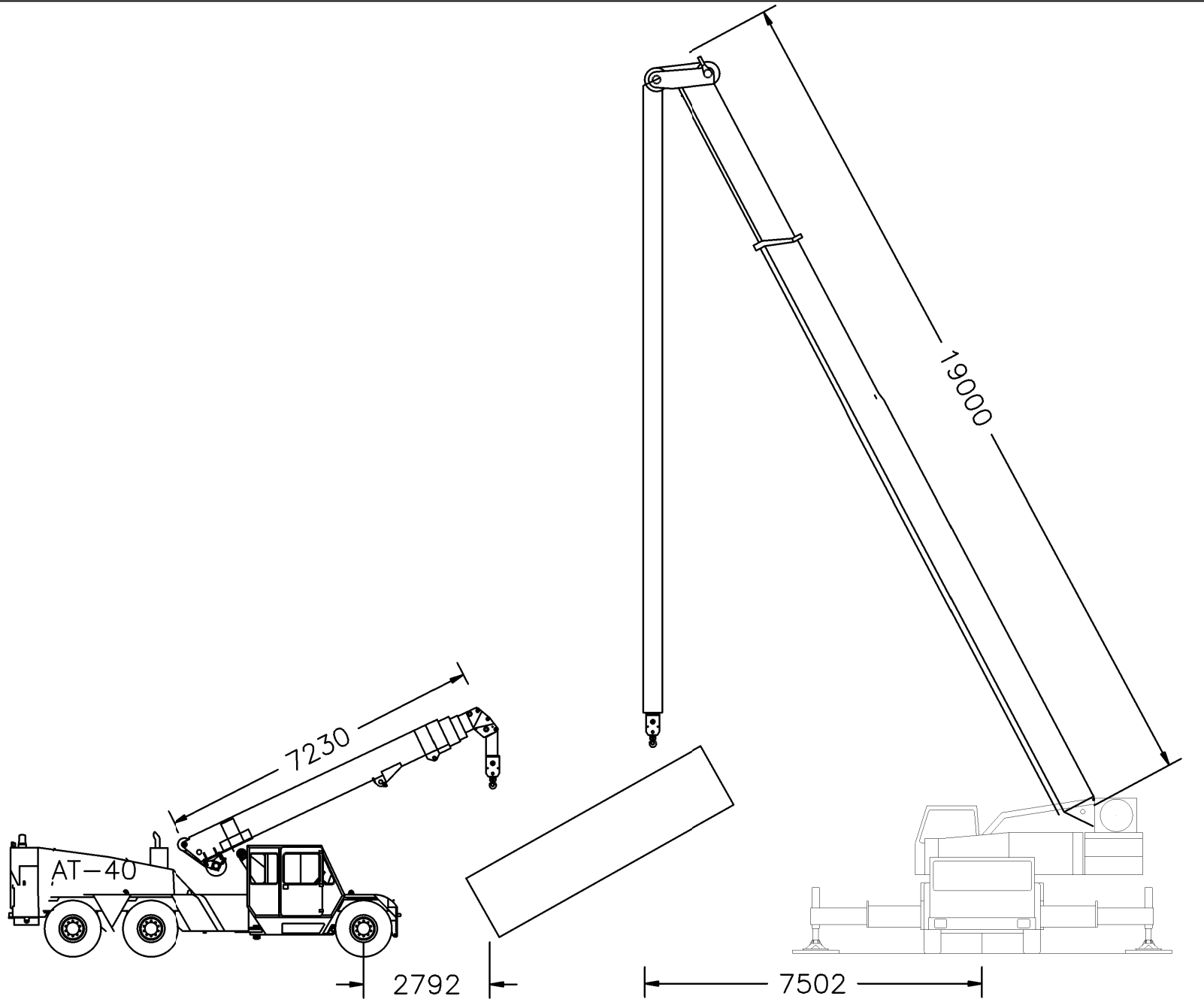


CRANE DETAILS - DUAL CRANE LIFT			
	CRANE 1	CRANE 2	
MAKE	LIEBHERR	TEREX FRANNA	
MODEL	LTM 1100-5.2	AT 40	
CRANE MRC	100	40	t
LMI CODE	0016		
CONFIGURATION	T		
COUNTERWEIGHT	15	FIXED	t
MAIN BOOM LENGTH	19.0	7.23	m
MAIN BOOM CONFIG.	0,0,0,46,46	3rd BOOM RETRACTED	%
JIB TYPE / OFFSET	NOT FITTED	NOT FITTED	*
JIB LENGTH	-	-	m
MAIN / AUX. HOOK?	MAIN	MAIN	
DEM CHART WIND SPEED	12.8	12.8	m/sec
LOAD DETAILS			
MAX. LOAD SHARE	6120	6120	kgs
CRANE COMPONENTS	979	150	kgs
RIGGING	155	40	kgs
TOTAL LIFT WEIGHT	7254	6310	kgs
LIFT DETAILS - AS PER AS2550.1 2002, SECTION 6.27.3, MULTIPLE CRANE HOISTING			
ADD 20% TO TLW	1450.8000	1262.0000	
REQUIRED SWL	8704.8000	7572.0000	
MAXIMUM LIFT RADIUS	8	18	m
ACTUAL SWL AT MAX. RADIUS	22900	36000	kgs
UTILISATION OF ACTUAL SWL	31.7	17.5	%
SPARE CAPACITY	15646	29690	kgs
REEVING CHECK			
LINE PULL	8800	4300	kgs
No. OF PARTS	4	4	
FACTORED LINE PULL	35200	17200	kgs
LOAD TO HOOK	7254	6310	kgs
REEVING UTILISATION	20.6	34.7	%
GROUND BEARING PRESSURES (MAXIMUM)			
OUTRIGGER PAD SIZE	2.0 x 2.0	x	m
OUTRIGGER PAD AREA	4.0	###	m ²
OUTRIGGER PAD WEIGHT	1.0		t
MAXIMUM JACK FORCE	32.0		t
TOTAL DOWN FORCE	33.0	####	t
PRESSURE UNDER PAD	8.3	####	t/m ²
PRESSURE UNDER PAD	80.9	####	kPa



DISCLAIMER:
 THE INFORMATION DISPLAYED/DRAWN IN THIS DOCUMENT IS BASED ON INFORMATION PROVIDED BY THE NAMED CLIENT AND/OR NAMED PERSON NO LIFT OR PROCEDURE SHOULD BE CARRIED OUT WITHOUT THE OPERATOR FIRST CONSULTING WITH THE OEM LOAD CHART/MANUAL AND DETERMINING SUITABILITY
 IT IS ASSUMED THAT ALL OVERHEAD & UNDERGROUND HAZARDS HAVE BEEN IDENTIFIED AND MANAGED APPROPRIATELY
 IT IS ASSUMED THAT THE GROUND OR OTHER SUPPORTING STRUCTURE IS LEVEL AND SUFFICIENT FOR THE CRANE & LOAD UNDER ALL OPERATING CONDITIONS
 THIS DOCUMENT IS A GUIDE ONLY. THE CRANE OPERATOR MUST DETERMINE THE MOST SUITABLE CONFIGURATION FOR THE PROPOSED LIFT

CLIENT NAME:	CRANE TYPE:	CREATED BY:	DATE:
	SLEWING	ANDRE BUCCI	
LIFT DESCRIPTION:	LIFT TYPE:	ATTACHED DOCS:	SCALE:
	SINGLE CRANE		N/A